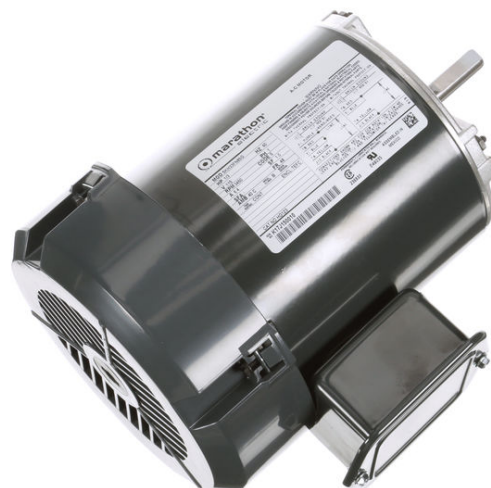


# PRODUCT INFORMATION PACKET

Model No: 5KH33FN85  
Catalog No: HG123  
1/3 HP General Purpose Motor, 1 phase, 3600 RPM, 115 V, 48 Frame, TEFC  
Single Phase TEFC Motors



Regal and Marathon are trademarks of Regal Beloit Corporation or one of its affiliated companies.  
©2020 Regal Beloit Corporation, All Rights Reserved. MC017097E

**REGAL**



### Nameplate Specifications

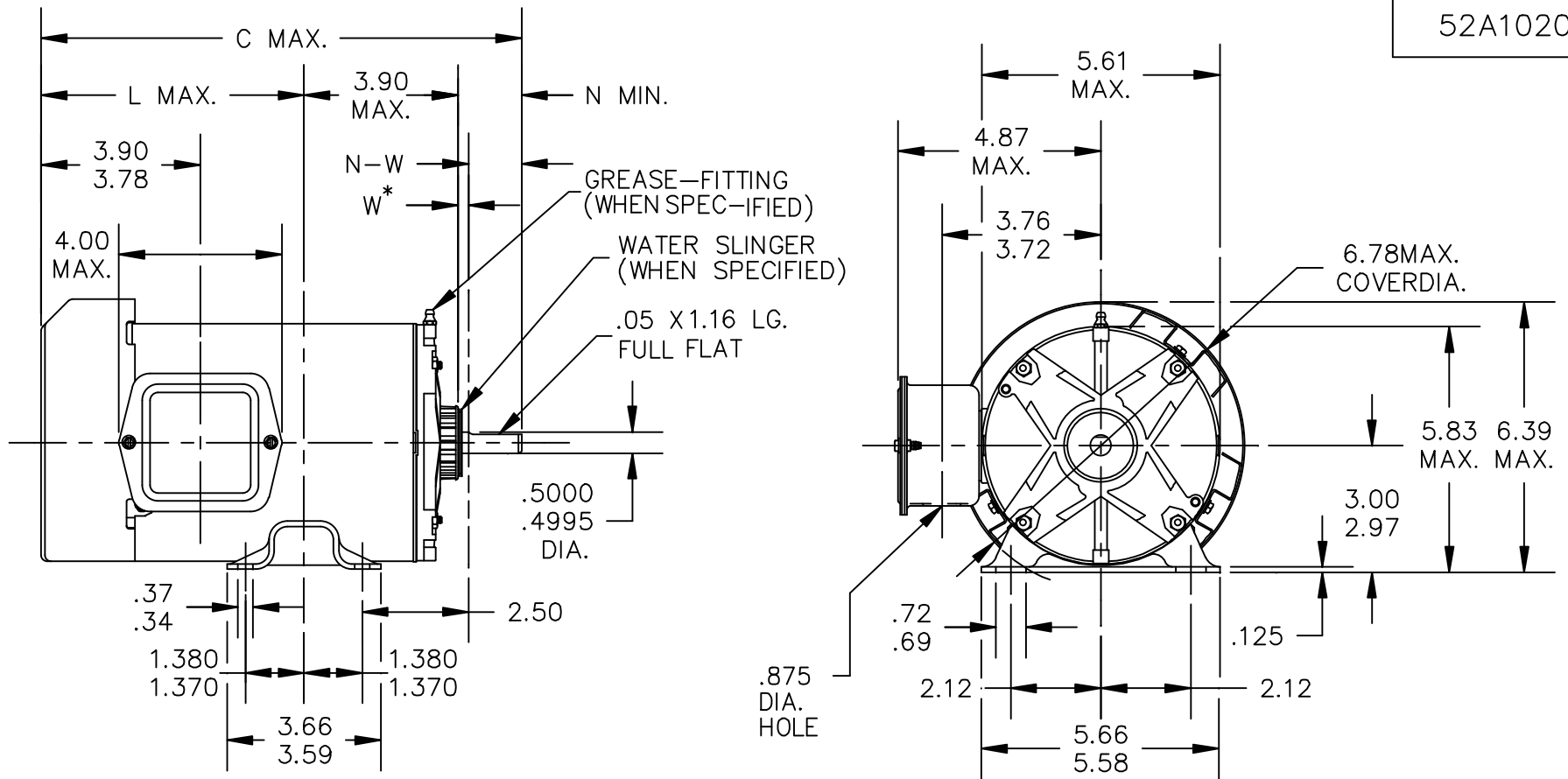
|                            |                             |                        |            |
|----------------------------|-----------------------------|------------------------|------------|
| Output HP                  | 0.33 Hp                     | Output KW              | 0.25 kW    |
| Frequency                  | 60 Hz                       | Voltage                | 115 V      |
| Current                    | 6.4 A                       | Speed                  | 3450 rpm   |
| Service Factor             | 1                           | Phase                  | 1          |
| Efficiency                 | 54.7 %                      | Power Factor           | 0          |
| Duty                       | Continuous                  | Insulation Class       | B          |
| KVA Code                   | S                           | Frame                  | 48         |
| Enclosure                  | Totally Enclosed Fan Cooled | Thermal Protection     | N/R        |
| Ambient Temperature        | 40 °C                       | Drive End Bearing Size | 6203       |
| Opp Drive End Bearing Size | 6203                        | UL                     | Recognized |
| CSA                        | Yes                         | CE                     | N          |

### Technical Specifications

|                   |              |                       |                            |
|-------------------|--------------|-----------------------|----------------------------|
| Electrical Type   | Split Phase  | Starting Method       | SM                         |
| Poles             | 2            | Rotation              | Counterclockwise/Clockwise |
| Mounting          | Rigid Base   | Motor Orientation     | ANY                        |
| Drive End Bearing | BALL         | Opp Drive End Bearing | Ball                       |
| Frame Material    | Rolled Steel | Overall Length        | 10.2 in                    |
| Frame Length      | 5.41 in      | Shaft Diameter        | 0.500 in                   |
| Shaft Extension   | 1.5 in       |                       |                            |
| Outline Drawing   | 52A102041P2  | Connection Drawing    | 52A105377BA                |

This is an uncontrolled document once printed or downloaded and is subject to change without notice. Date Created:03/11/2020

52A102041



W\* IS A CLEARANCE DUE TO VARIATION IN PARTS AND ASSEMBLY

|   |      |          |          |       |      |      |           |             |   |      |          |          |       |      |      |           |             |  |
|---|------|----------|----------|-------|------|------|-----------|-------------|---|------|----------|----------|-------|------|------|-----------|-------------|--|
| 5 | K KH | 37       | 48       | 11.38 | 6.00 | 1.50 | 1.63/1.41 |             |   |      |          |          |       |      |      |           |             |  |
| 4 | K KH | 36       | 48       | 10.98 | 5.60 | 1.50 | 1.63/1.41 |             |   |      |          |          |       |      |      |           |             |  |
| 3 | K KH | 35       | 48       | 10.55 | 5.17 | 1.50 | 1.63/1.41 |             | 8 | K KH | 39       | 48       | 9.67  | 4.29 | 1.50 | 1.63/1.41 | 4.91        |  |
| 2 | K KH | 33       | 48       | 10.17 | 4.79 | 1.50 | 1.63/1.41 |             | 7 | K KH | 32       | 48Z      | 10.92 | 4.54 | 2.50 | 2.63/2.41 |             |  |
| 1 | K KH | 32       | 48       | 9.92  | 4.54 | 1.50 | 1.63/1.41 |             | 6 | K KH | 38       | 48       | 11.98 | 6.60 | 1.50 | 1.63/1.41 |             |  |
| P | TYPE | RBC SIZE | NEMA FR. | C     | L    | N    | N-W       | SHELL LGTH. | P | TYPE | RBC SIZE | NEMA FR. | C     | L    | N    | N-W       | SHELL LGTH. |  |

|     |                                   | TOLERANCES UNLESS SPECIFIED |         | REGAL-BELOIT CORPORATION                  |      |        |      |          |           |      |             |  |  | DRAWN F.P.K 12/13/76 |  |      |      |
|-----|-----------------------------------|-----------------------------|---------|---|------|--------|------|----------|-----------|------|-------------|--|--|----------------------|--|------|------|
|     |                                   | DEC.                        | INCHES  | REGAL-BELOIT CORPORATION                  |      |        |      |          |           |      |             |  |  | CHK                  |  |      |      |
|     |                                   | .X                          | ±0.1    | TITLE                                     |      |        |      |          |           |      |             |  |  | APPD M.D.P 05/24/96  |  |      |      |
|     |                                   | .XX                         | ±0.02   | OUTLINE                                   |      |        |      |          |           |      |             |  |  | SCALE 1=1            |  |      |      |
|     |                                   | .XXX                        | ±0.005  | TOTALLY ENCLOSED OUTBOARD FAN-WELDED BASE |      |        |      |          |           |      |             |  |  | REF                  |  |      |      |
|     |                                   | .XXXX                       | ±0.0005 | MAT'L.                                    |      |        |      |          |           |      |             |  |  | FMF                  |  |      |      |
| NO. | REVISION                          | BY & DATE                   | CHK     | ANG                                       | ±1.0 | FINISH |      |          |           |      |             |  |  |                      |  |      | PREV |
| 12  | REDRAWN IN DRAFTSIGHT -NO CHANGES | UD 09/08/12                 |         |   |      |        |      |          |           |      |             |  |  |                      |  |      |      |
| 11  | PER ISAAC 05-2096                 | RK 09/05/05                 |         |   |      |        |      |          |           |      |             |  |  |                      |  |      |      |
|     |                                   |                             |         |   |      |        | RFP  | CAD FILE | 52A102041 | SIZE | DRAWING NO. |  |  |                      |  | REV. |      |
|     |                                   |                             |         |   |      |        | DIST |          |           | A    | 52A102041   |  |  |                      |  | 12   |      |

THIS DRAWING IN DESIGN AND DETAIL IS OUR PROPERTY AND MUST NOT BE USED EXCEPT IN CONNECTION WITH OUR WORK ALL RIGHTS OF DESIGN AND INVENTION ARE RESERVED THIS IS AN ELECTRONICALLY GENERATED DOCUMENT - DO NOT SCALE THIS PRINT

